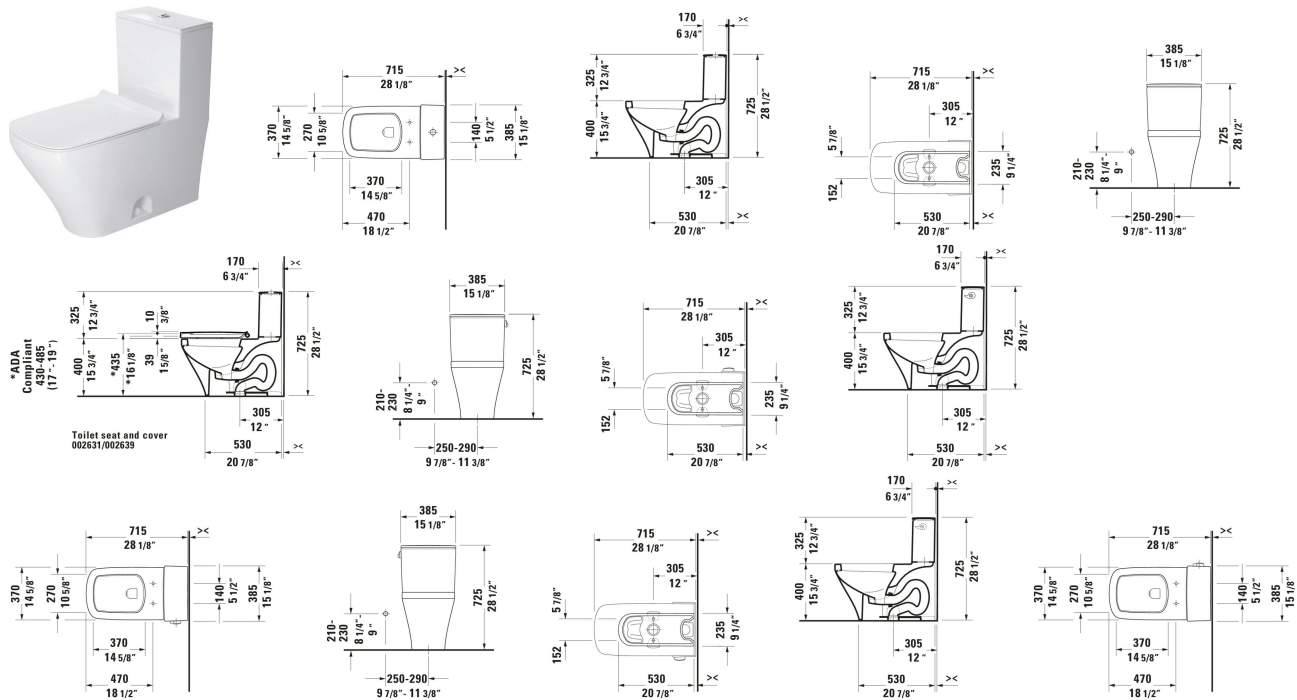


DuraStyle One Piece Toilet # 215701..05 / 215701..85 / 215701..U3 / 215701..U4 / 215701..05 / 215701..85

< 15 1/8 " >



| One Piece Toilet | Dimension | Weight | Order number |
|---|-------------------|------------|--------------|
| 28 1/8 " , elongated, Siphonic, Flushing rim: Closed, Outlet: vertical, Rough-in: 12 " , cUPC listed: Yes | | | |
| Colors | | | |
| 00 White 20 HygieneGlaze (an antibacterial ceramic glaze that provides almost indefinite effectiveness) | | | |
| Variant | | | |
| <ul style="list-style-type: none"> White High Gloss, Dual Flush, Flush water quantity: 1.32/0.92 gal, Trip lever placement: Top, WaterSense: Yes | 15 1/8 "x28 1/2 " | 121.254 lb | 215701..05 |
| <ul style="list-style-type: none"> White High Gloss, Single Flush, Flush water quantity: 1.28 gal, Trip lever placement: Top, WaterSense: Yes | 15 1/8 "x28 1/2 " | 121.254 lb | 215701..85 |
| <ul style="list-style-type: none"> White High Gloss, Flush water quantity: 1.28 gal, WaterSense: Yes, cC/IAPMO®: No | 15 1/8 "x28 1/2 " | 121.254 lb | 215701..U3 |
| <ul style="list-style-type: none"> White High Gloss, Flush water quantity: 1.28 gal, WaterSense: Yes, cC/IAPMO®: No | 15 1/8 "x28 1/2 " | 121.254 lb | 215701..U4 |
| <ul style="list-style-type: none"> White High Gloss, HygieneGlaze, Dual Flush, Flush water quantity: 1.32/0.92 gal, Trip lever placement: Top, WaterSense: Yes | 15 1/8 "x28 1/2 " | 121.254 lb | 215701..05 |
| <ul style="list-style-type: none"> White High Gloss, HygieneGlaze, Single Flush, Flush water quantity: 1.28 gal, Trip lever placement: Top, WaterSense: Yes | 15 1/8 "x28 1/2 " | 121.254 lb | 215701..85 |
| Spare parts | | | |

DuraStyle One Piece Toilet # 215701..05 / 215701..85 / 215701..U3 / 215701..U4 / 215701..05 / 215701..85

|< 15 1/8 " >|

| | | | |
|--|-------------------|----------|--------|
| Installation Set | 2 3/8 x 5 1/8 " | 1.874 lb | 001417 |
| Suitable products | | | |
| Toilet Seat Slow close: No, Removable Seat, Hinge material: Stainless Steel, elongated, 14 3/4 x 19 1/4 " | 14 3/4 x 19 1/4 " | | 006051 |
| Toilet Seat Slow close: Yes, Removable Seat, Hinge material: Stainless Steel, elongated, 14 3/4 x 19 1/4 " | 14 3/4 x 19 1/4 " | | 006059 |
| Shower toilet seat Number of warm air dryer options: 4 Steps, Water position adjustment: 5 Steps, Number of spray intensity options: 3 Steps, Number of spray temperature options: 4 Steps, Water position adjustment: 5 Steps, Rearwash, Frontwash, Pulsing shower spray: Oscillating, Number of user profiles: 2, Self-cleaning function, Decalcification function, Connection voltage: 220 - 240 V, Min. frequency: 50 Hz, Night light, 14 3/4 x 21 1/8 " | 14 3/4 x 21 1/8 " | | 610200 |
| One Piece Toilet One Piece Toilet: 2157010005, elongated, Siphonic, Flushing rim: Closed, Outlet vertical, Dual Flush, Trip lever placement: Top, Flush water quantity: 1.32 gal/0.92 gal, Toilet Seat: 0060590000, Lid color: White High Gloss, Removable Seat, Slow close, 15 1/8 x 28 1/8 " | 15 1/8 x 28 1/8 " | | D40521 |
| One Piece Toilet One Piece Toilet: 2157010085, elongated, Siphonic, Flushing rim: Closed, Outlet vertical, Single Flush, Trip lever placement: Top, Flush water quantity: 1.28 gal, Toilet Seat: 0060590000, Lid color: White High Gloss, Removable Seat, Slow close, 15 1/8 x 28 1/8 " | 15 1/8 x 28 1/8 " | | D40522 |
| Toilet Seat , 14 3/4 x 19 1/4 " | 14 3/4 x 19 1/4 " | | 002639 |

All drawings contain the necessary measurements which are subject to standard tolerances. They are stated in inch & mm and are non-binding. Exact measurements, in particular for customized installation scenarios, can only be taken from the finished ceramic piece.